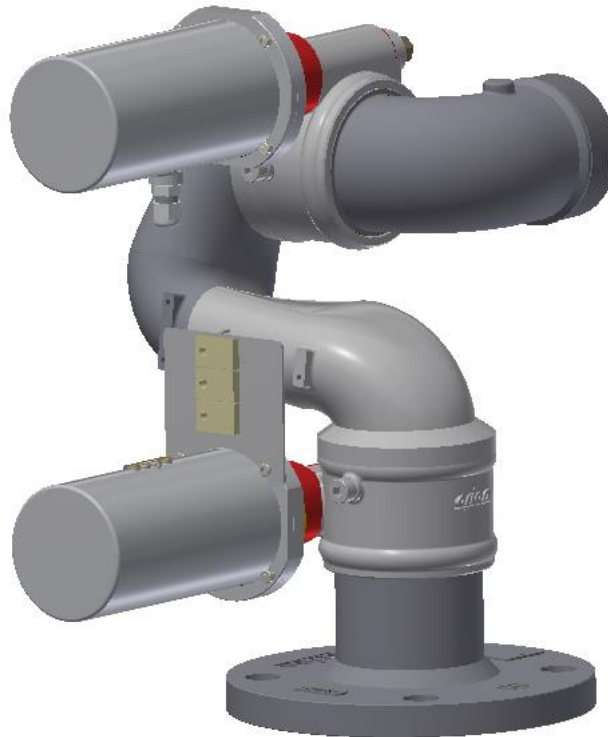


# Monitors

## Commando Model 2351

### Electric Remote Controlled Monitor



### Description

The monitor is a stainless steel monitor with DC electric motor driven swivels for remote control. Swivel units are fully enclosed for long service life. Control motors are fitted with IP66 protective covers. The monitor can be used with Water Jet Branchpipes, Orion Model 6000RE fog nozzles & Orion Foam Lord model FLD2-65RE nozzles.

The Commando Model 2351 is available with 24 VDC motors.

This monitor features physical limit stops.

This monitor is designed for the rough and high corrosion conditions.

Travel limits are set at the time of order and cannot be field adjusted.

### Control Options

The Commando 2351 monitor is directly joystick controlled using our robust relay module. This monitor is designed to be simple and rugged and handle high vibration easily.

---

## ORION FIRE ENGINEERING PTY LIMITED

ABN 80 002 538 696

26A LYN PARADE PRESTONS NSW 2170 AUSTRALIA

Tel (61) 2 9426 7900 FAX (61) 2 8783 5400

Visit our Website [www.orion-fire.com.au](http://www.orion-fire.com.au) Email: [sales@orion-fire.com.au](mailto:sales@orion-fire.com.au)

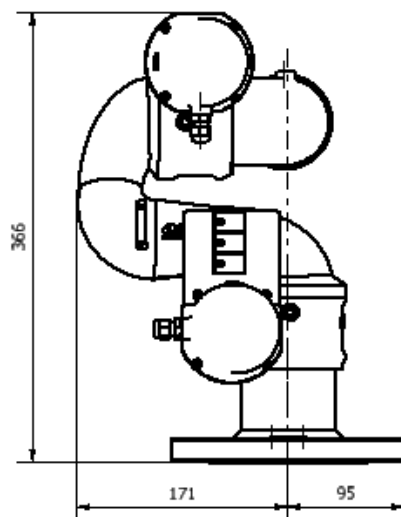
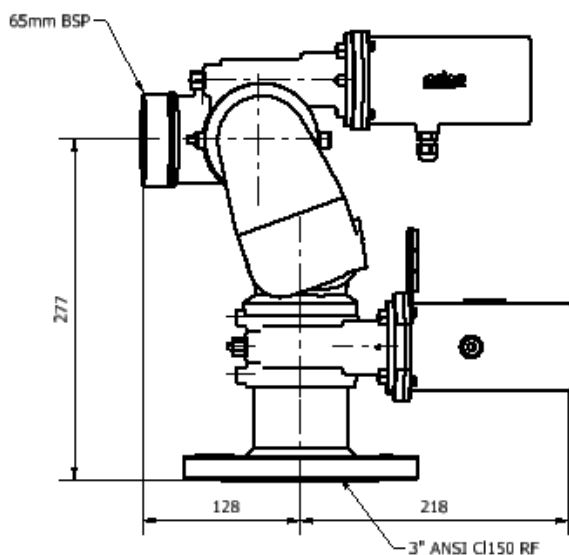
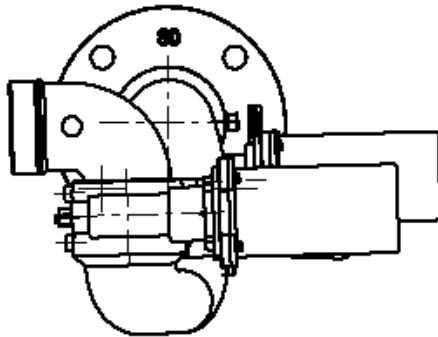
## Specifications

Maximum Recommended Flow:	2,500 lpm
Horizontal Rotation:	-170° to +170° (340 degrees total)
Vertical Movement:	150°
Inlet Connection	Flanged 80mm ANSI Class 150 RF
Outlet Connection	65mm BSP Male
Motor Current (each) – normal	2.5 Amp
Motor Current (each) - maximum	5 Amp

## Materials of Construction

Waterway: 316L Stainless Steel  
Swivels: 316L Stainless Steel  
Inlet Flange: 316L Stainless Steel

Balls: Brass  
Grease Nipples: 316 Stainless Steel  
Fasteners: 316 Stainless Steel  
Motors Housing: Brass



---

## ORION FIRE ENGINEERING PTY LIMITED

ABN 80 002 538 696

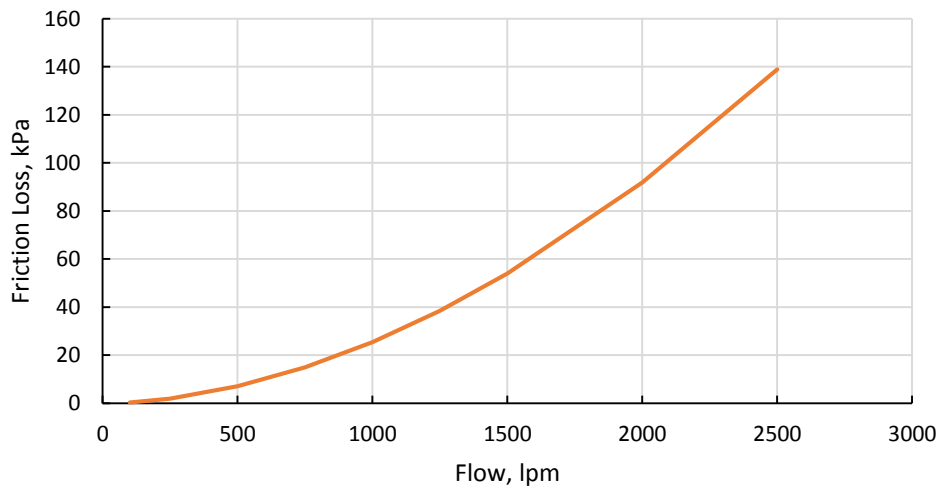
26A LYN PARADE PRESTONS NSW 2170 AUSTRALIA

Tel (61) 2 9426 7900 FAX (61) 2 8783 5400

Visit our Website [www.orion-fire.com.au](http://www.orion-fire.com.au) Email: [sales@orion-fire.com.au](mailto:sales@orion-fire.com.au)

## Performance Data

**Friction Loss Chart  
63mm Commando**



*Friction Loss Curve*

## Options

Outlet Connection: 65mm BSP Male as Standard  
Inlet Flange: 3" ANSI #150 raised face  
Controls: Panel mount joystick units

Normally unpainted except for motors.

Marine paint finish is also available.

---

## ORION FIRE ENGINEERING PTY LIMITED

ABN 80 002 538 696

26A LYN PARADE PRESTONS NSW 2170 AUSTRALIA

Tel (61) 2 9426 7900 FAX (61) 2 8783 5400

Visit our Website [www.orion-fire.com.au](http://www.orion-fire.com.au) Email: [sales@orion-fire.com.au](mailto:sales@orion-fire.com.au)