

50mm Water Oscillating Monitor



Description

The SA50 water oscillating monitor is constructed from stainless steel with stainless steel swivel units. The monitor is based on the standard Sentinel monitor which has been proven over decades to be durable in the harshest conditions.

The operating pressure range for the SA50 WOM is 500 kPa to 1200 kPa. Maximum recommended flow is 1500 lpm.

The SA50 has an adjustable water oscillating sweep of 30 degrees to 120 degrees. The unit is fitted with a manual override and a sweep speed control.

The water oscillating unit uses a maximum of 35 litres per minute at maximum sweep speed (30 degrees per second). The elevation adjustment range is -45 degrees to +75 degrees.

The separate oscillator unit allows full independent monitor movement (360°).

Ideal for washdown, the unit is designed for high usage rates.

Dimensions

Height:	330mm
Width:	500mm
Depth:	220mm
Nozzle Height:	300mm
Weight:	20 kg

ORION FIRE ENGINEERING PTY LIMITED

ABN 80 002 538 696

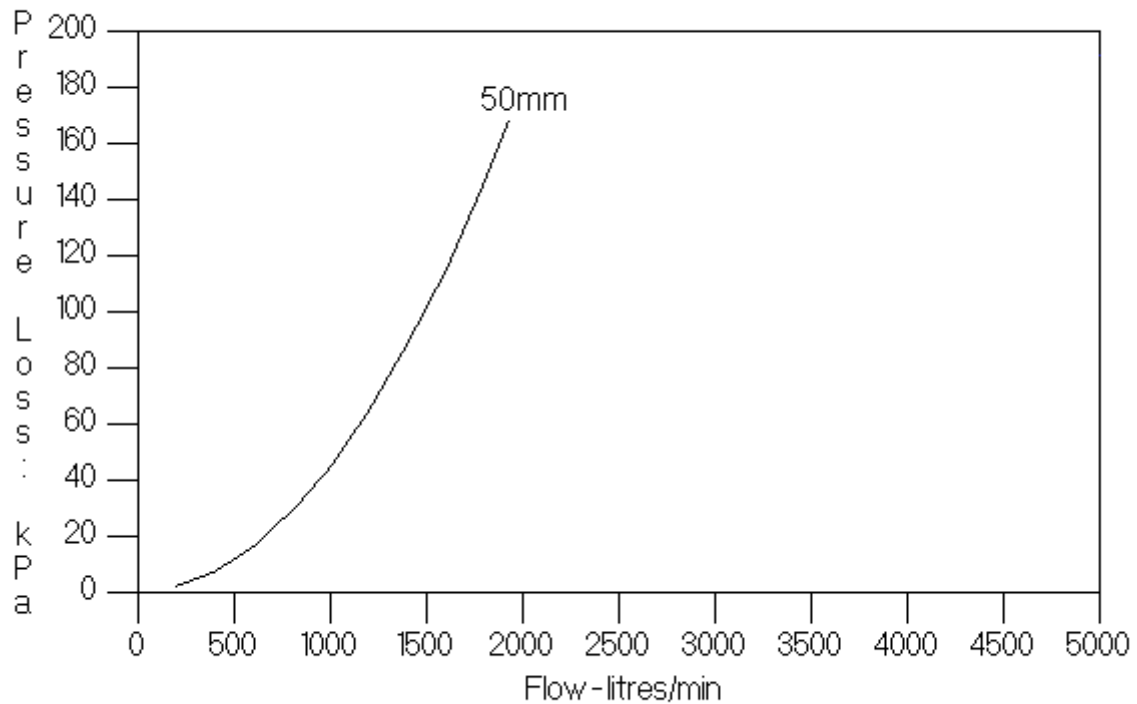
26A LYN PARADE PRESTONS NSW 2170 AUSTRALIA

Tel (61) 2 9426 7900 FAX (61) 2 8783 5400

Visit our Website www.orion-fire.com.au Email: sales@orion-fire.com.au

Performance Data

Friction Loss Curves



Operating Pressures:	500 kPa - 1,500 kPa
Pressure Test Pressure:	2,500 kPa
Flow Range:	up to 1,500 lpm
Elevation Adjustment:	-45° to +80°
Horizontal Sweep:	Adjustable from 0° to 180°
Oscillating Speed:	Adjustable
Oscillating Unit Water Consumption:	3 litres per minute (Max.)
Inlet Flange:	50mm Table E
Outlet Connection:	40mm BSP Male or 50mm BSP Male

Options

- A range of inlet flange connections.

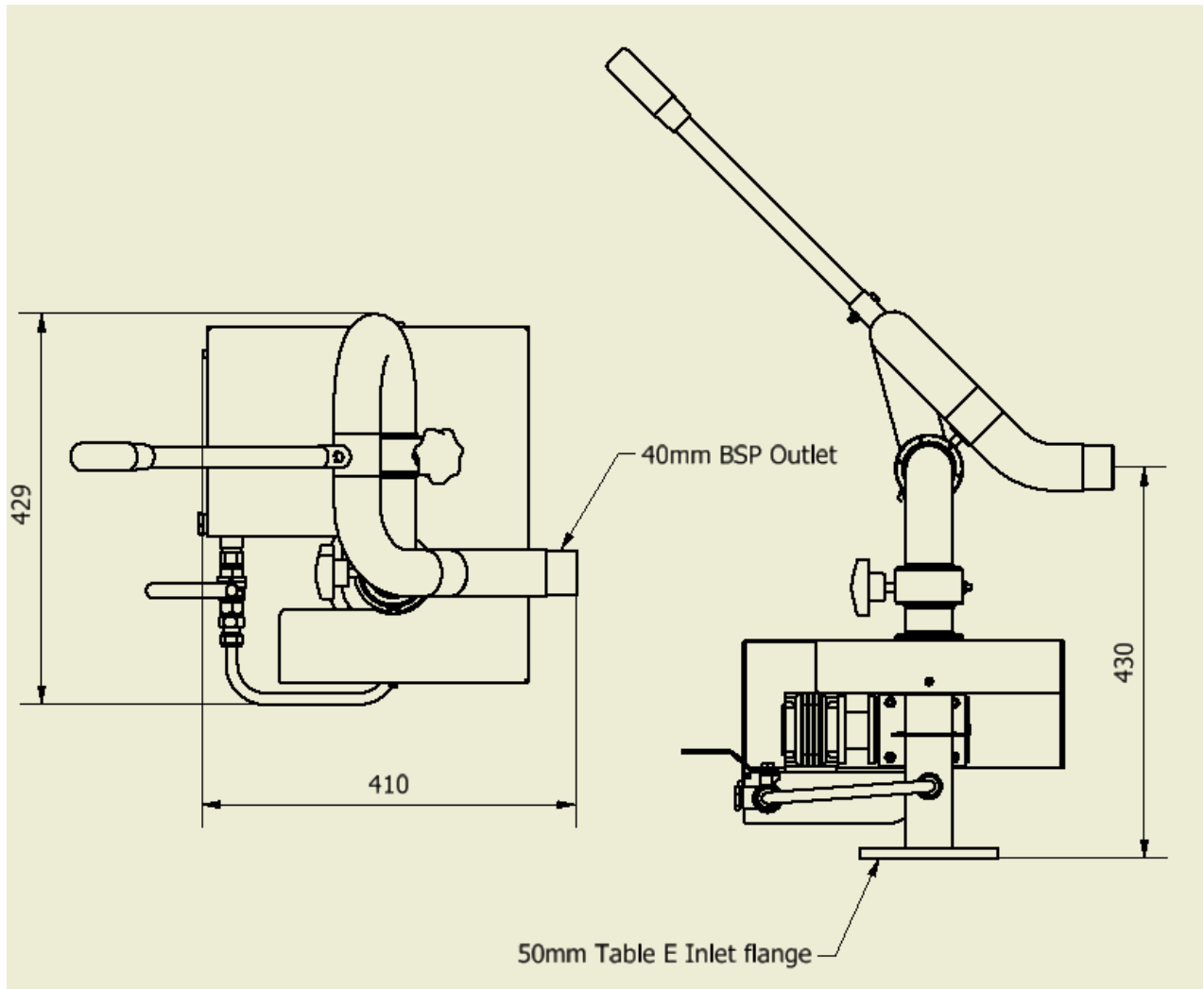
ORION FIRE ENGINEERING PTY LIMITED

ABN 80 002 538 696

26A LYN PARADE PRESTONS NSW 2170 AUSTRALIA

Tel (61) 2 9426 7900 FAX (61) 2 8783 5400

Visit our Website www.orion-fire.com.au Email: sales@orion-fire.com.au



ORION FIRE ENGINEERING PTY LIMITED

ABN 80 002 538 696

26A LYN PARADE PRESTONS NSW 2170 AUSTRALIA

Tel (61) 2 9426 7900 FAX (61) 2 8783 5400

Visit our Website www.orion-fire.com.au Email: sales@orion-fire.com.au