

Foam Proportioning



MTU-4 Turbine Proportioner

Description

The MTU-4 proportioner is a water turbine powered balanced pressure proportioner unit. Water flowing through the proportioner unit drives a foam pump where the pump speed is proportional to the water flow. A constant proportioning rate is achieved over a range of flows with relatively small pressure loss.

Specifications

1% or 3% proportioning (specify when ordering).

Water flow Model MTU-4-1, 1800 lpm - 3000 lpm
 Model MTU-4-2, 2300 lpm - 3600 lpm
 Model MTU-4-3, 1000 lpm - 1450 lpm
 Model MTU-4-4, 1500 lpm - 2300 lpm

Water inlet pressure is 5-10 Bar.

Connection water: ANSI B 16.5 150# RF

Connection foam: BSP 1" male (3%)

Pressure loss at maximum flow. 1.5 Bar

Minimum Concentrate supply pressure: 75 kPa absolute.

Materials of Construction

Turbine in material Ni-Al Bronze BS1400 AB2 (DIN1714 G-CuAl10Ni)

AFFF-pump: Bronze BS 1400 LB2 (DIN1716 G-CuPb10Sn)

Other parts on concentrate side: AISI 316.

Also available in Titanium and Super Duplex stainless steel.

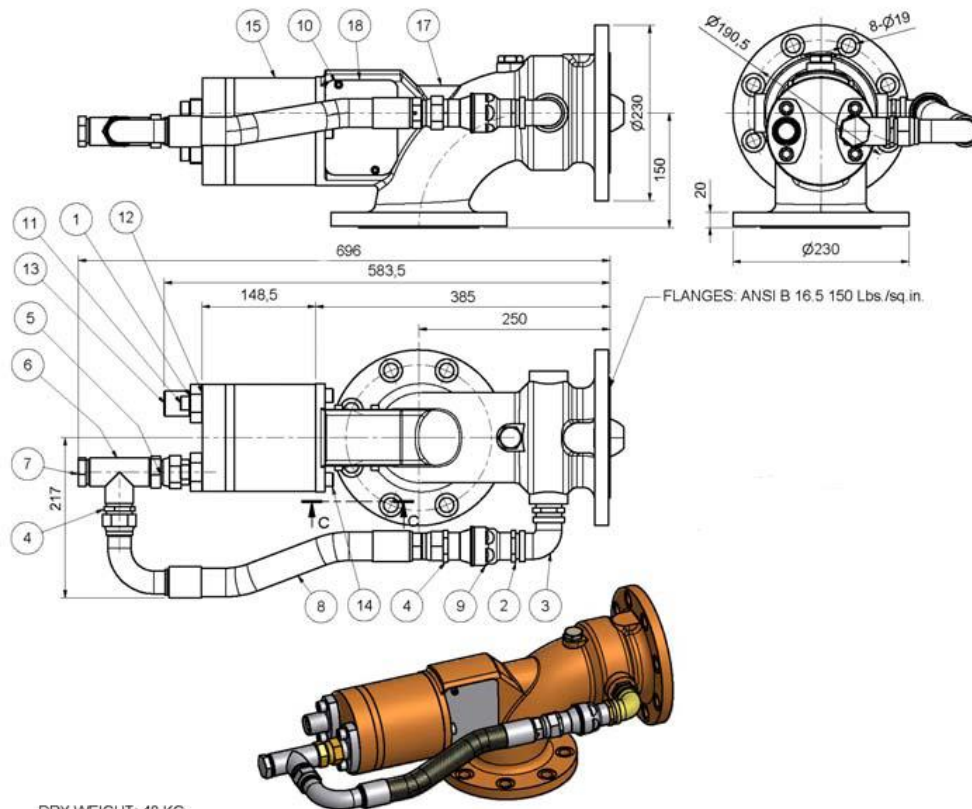
ORION FIRE ENGINEERING PTY LIMITED

ABN 80 002 538 696

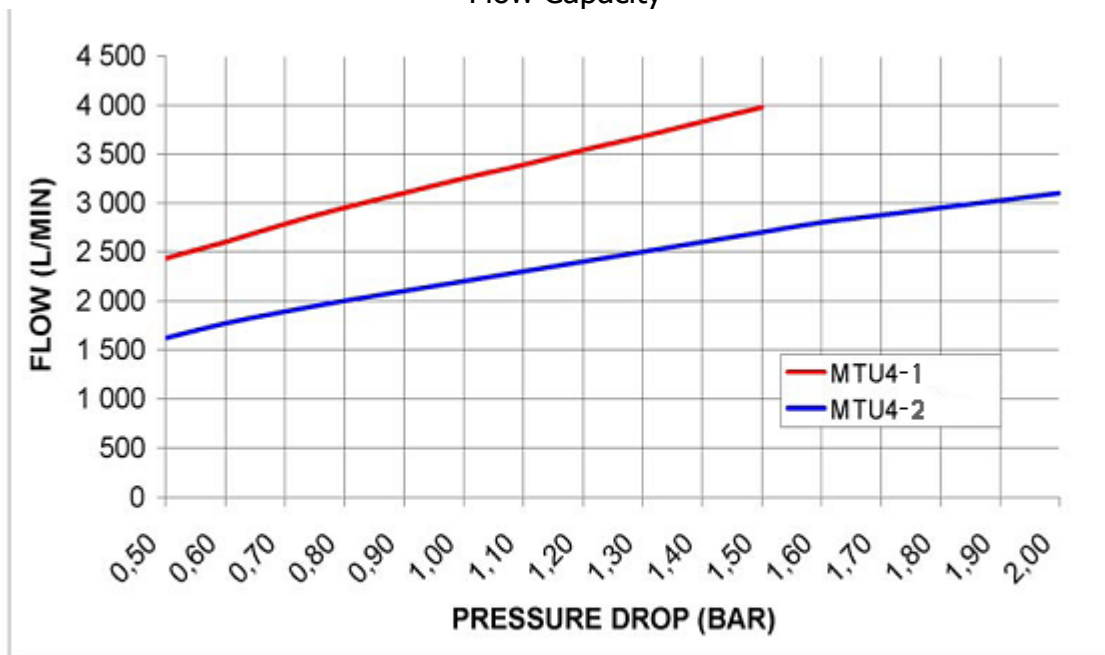
26A LYN PARADE PRESTONS NSW 2170 AUSTRALIA

Tel (61) 2 9426 7900 FAX (61) 2 8783 5400

Visit our Website www.orion-fire.com.au Email: sales@orion-fire.com.au



Flow Capacity



ORION FIRE ENGINEERING PTY LIMITED

ABN 80 002 538 696

26A LYN PARADE PRESTONS NSW 2170 AUSTRALIA

Tel (61) 2 9426 7900

FAX (61) 2 8783 5400

Visit our Website www.orion-fire.com.au

Email: sales@orion-fire.com.au