

Foam Proportioning

Wide Range Proportioner



Description

The MPW-150 Wide Range Proportioner proportions foam concentrate into water over a very wide water flow range. Standard proportioning rates are 1%, 3%.

The MPW-150 Wide Range Proportioner is a wafer type that mounts between ANSI or DIN flanges in the water main.

The proportioner is designed for use with Orion bladder tanks.

Specifications

Minimum flow rate: 200 lpm

Maximum flow rate: 9,000 lpm

Design Pressure: 20 bar

Test pressure: 30 bar

Foam Proportioning: 1% or 3%

Straight pipe requirements for installation:

Upstream: 3 pipe diameters (450mm)

Downstream: None

Construction

Wetted parts: Bronze BS 1400 LG2 (DIN1716 G-CuPb10Sn)

Metering Orifice: Stainless steel 316.

ORION FIRE ENGINEERING PTY LIMITED

ABN 80 002 538 696

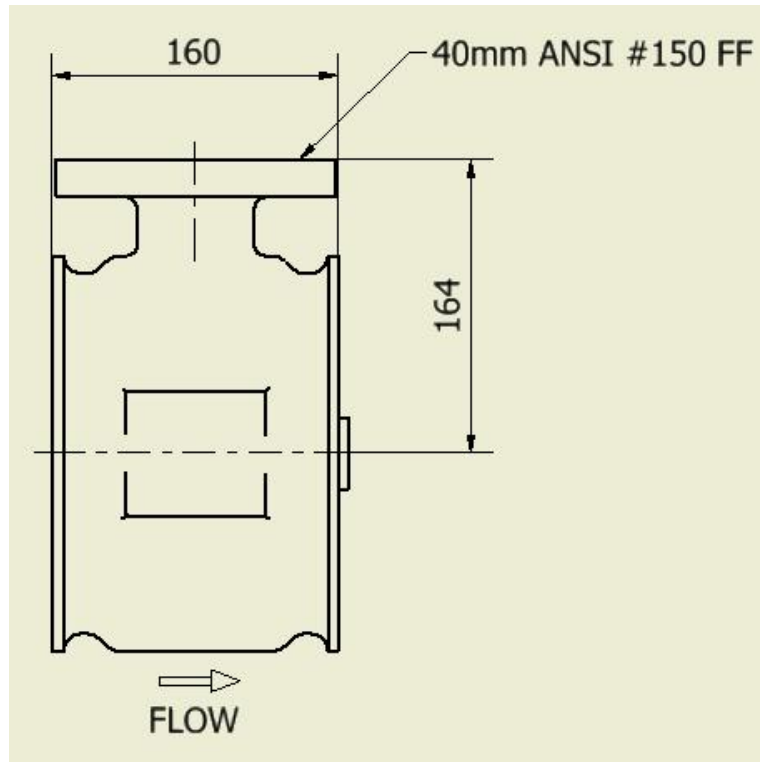
26A LYN PARADE PRESTONS NSW 2170 AUSTRALIA

Tel (61) 2 9426 7900

FAX (61) 2 8783 5400

Visit our Website www.orion-fire.com.au

Email: sales@orion-fire.com.au



ORION FIRE ENGINEERING PTY LIMITED

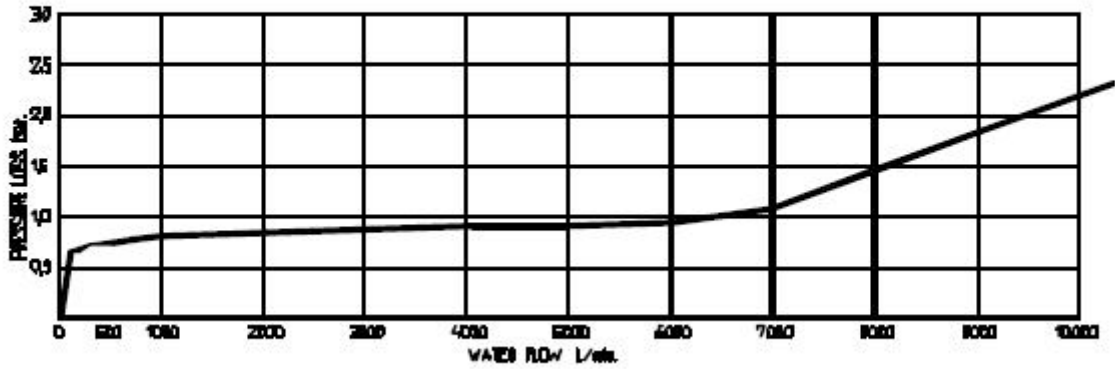
ABN 80 002 538 696

26A LYN PARADE PRESTONS NSW 2170 AUSTRALIA

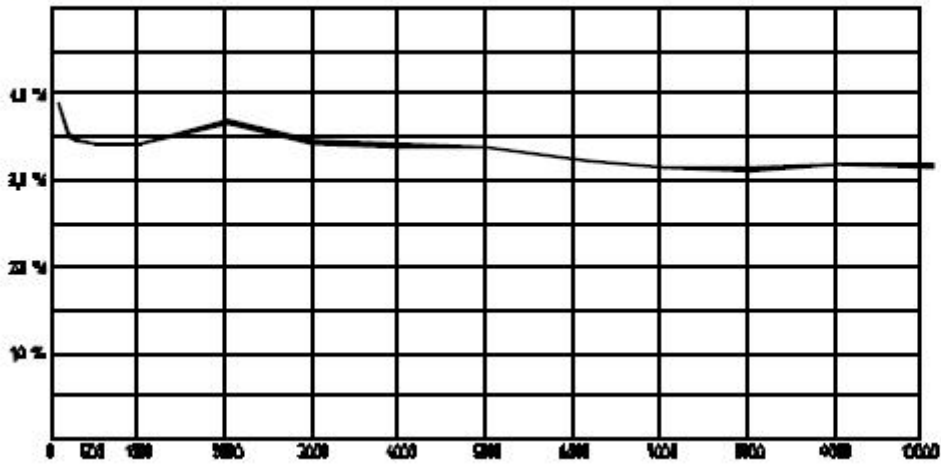
Tel (61) 2 9426 7900 FAX (61) 2 8783 5400

Visit our Website www.orion-fire.com.au Email: sales@orion-fire.com.au

PRESSURE LOSS CURVE.



FLOW vs INJECTION RATE.



ORION FIRE ENGINEERING PTY LIMITED

ABN 80 002 538 696

26A LYN PARADE PRESTONS NSW 2170 AUSTRALIA

Tel (61) 2 9426 7900 FAX (61) 2 8783 5400

Visit our Website www.orion-fire.com.au Email: sales@orion-fire.com.au