

Monitor Nozzles



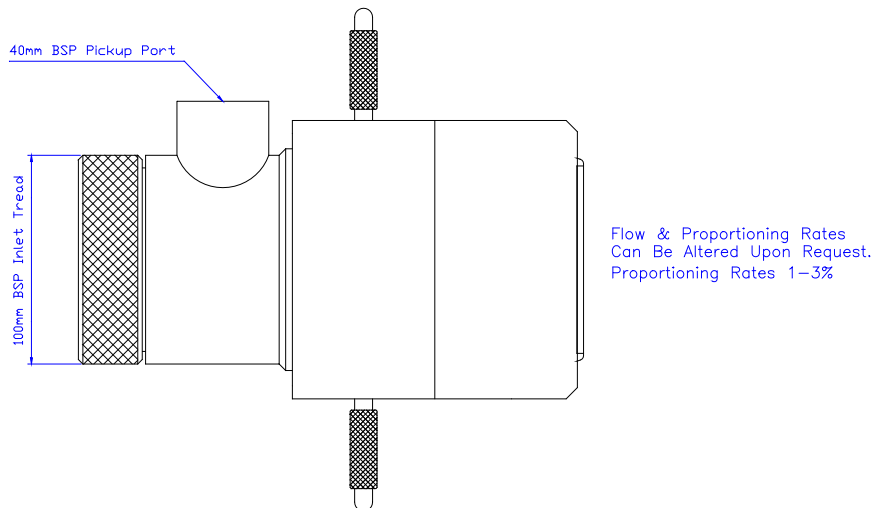
Fire Engineering
Pty Limited

Foam Lord 100mm Nozzle

Dual Purpose Fog Nozzles with Superior Performance

Description

The nozzles in our Foam Lord range have a built in foam inductor which can be used to directly induct foam from a drum or tank, or can be used with our transfer proportioners to induct foam remotely from the nozzle (up to 60M away). The FLD-50, FLD-65 and FLD-80 nozzles are able to induct foam at 1%, 3% or 6% while the FLD-100 and FLD-150 can induct foam at rates up to 3%.



The Foam Lord nozzles are designed as dual purpose nozzles; they can be used as standard fog nozzle or as a foam nozzle. The superior performance of the Foam Lord nozzles makes them very performance competitive with standard fog nozzles due to our proprietary nozzle design.

Specifications

Flow Range:	Up to 8,000 lpm
Operating Pressure Range:	600 - 1500 kPa
Inlet Connection	100mm BSP Female (std) or NHT
Proportioning Rates	1% or 3%

Materials of Construction

Nozzle components: Bronze
Grease Nipple: 316 Stainless Steel

Performance Data

ORION FIRE ENGINEERING PTY LIMITED

ABN 80 002 538 696

26A LYN PARADE PRESTONS NSW 2170 AUSTRALIA

Tel (61) 2 9426 7900 FAX (61) 2 8783 5400

Visit our Website www.orion-fire.com.au Email: sales@orion-fire.com.au

5,680 lpm (1,500 US gpm) Stem Flow Chart

		STRAIGHT STREAM	NARROW FOG	WIDE FOG
PRESSURE	FLOW (lpm)	THROW (M)	THROW (M)	THROW (M)
600 kPa	5,260	65	40	28
700 kPa	5,580	69	42	30
800 kPa	6,070	75	45	33
900 kPa	6,440	79	48	36
1000 kPa	6,790	85	50	39

7,570 lpm (2,000 US gpm) Stem Flow Chart

		STRAIGHT STREAM	NARROW FOG	WIDE FOG
PRESSURE	FLOW (lpm)	THROW (M)	THROW (M)	THROW (M)
600 kPa	7,005	69	41	28
700 kPa	7,570	76	44	30
800 kPa	8,090	83	48	33
900 kPa	8,580	89	51	36
1000 kPa	9,040	93	53	39

Options

- Inlet Connection: 100mm BSP Male as Standard, 4" NHT optional.
- Flows: The Foam Lord Nozzle can be made to suit the customers' flow and pressure specification.
- Materials: Gunmetal (LG2) is standard, hard anodised aluminium is optional. Nickel plated LG2 is recommended for severe environments.
- Metering Valve: A metering valve with Off-1%-3% positions is available
- Foam Shut-Off Valve: A ball valve can be fitted to the foam concentrate connection to allow the operator to isolate the foam concentrate supply.
- Transfer Proportioners: For remote foam concentrate supply management.

ORION FIRE ENGINEERING PTY LIMITED

ABN 80 002 538 696

26A LYN PARADE PRESTONS NSW 2170 AUSTRALIA

Tel (61) 2 9426 7900 FAX (61) 2 8783 5400

Visit our Website www.orion-fire.com.au Email: sales@orion-fire.com.au