

Monitor Nozzles



Fire Engineering
Pty Limited

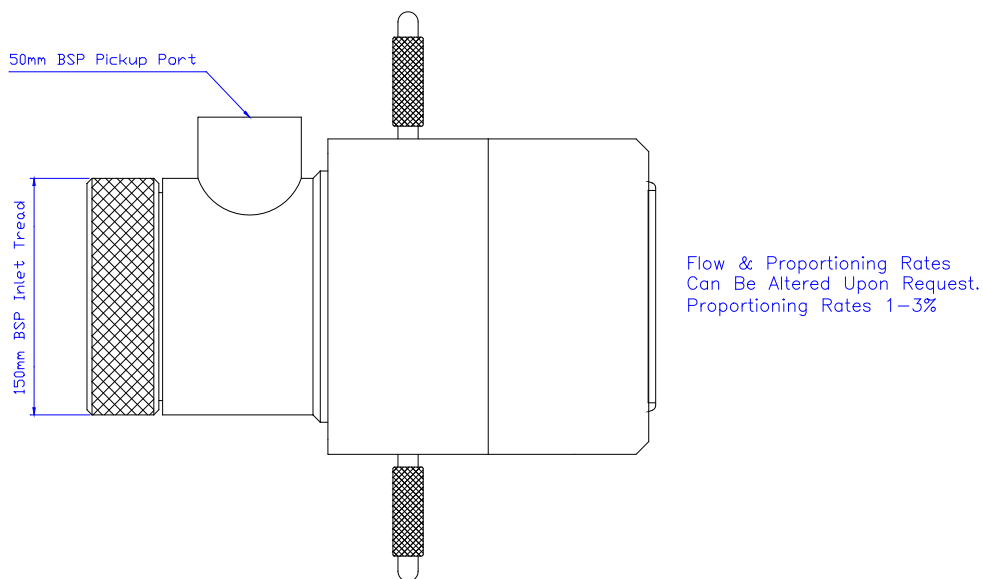
Foam Lord 150mm Nozzle

Dual Purpose Fog Nozzles with Superior Performance

Description

The nozzles in our Foam Lord range have a built in foam inductor which can be used to directly induct foam from a drum or tank, or can be used with our transfer proportioners to induct foam remotely from the nozzle (up to 60M away). The FLD-50, FLD-65 and FLD-80 nozzles are able to induct foam at 1%, 3% or 6% while the FLD-100 and FLD-150 can induct foam at rates up to 3%.

The Foam Lord nozzles are designed as dual purpose nozzles; they can be used as standard fog nozzle or as a foam nozzle. The superior performance of the Foam Lord nozzles makes them very performance competitive with standard fog nozzles due to our proprietary nozzle design.



Specifications

Flow Range:	Up to 20,000 lpm
Operating Pressure Range:	600 - 1500 kPa
Inlet Connection	150mm BSP Female (std) or NHT
Proportioning Rates	1% or 3%

ORION FIRE ENGINEERING PTY LIMITED

ABN 80 002 538 696

26A LYN PARADE PRESTONS NSW 2170 AUSTRALIA

Tel (61) 2 9426 7900 FAX (61) 2 8783 5400

Visit our Website www.orion-fire.com.au Email: sales@orion-fire.com.au

Materials of Construction

Nozzle components: Bronze
Grease Nipple: 316 Stainless Steel

Performance Data

11,355 lpm (3,000 US gpm) Stem Flow Chart

		STRAIGHT STREAM	WIDE FOG
PRESSURE	FLOW (lpm)	THROW (M)	THROW (M)
600 kPa	10,500	89	31
700 kPa	11,355	92	34
800 kPa	12,140	98	37
900 kPa	12,875	101	40
1000 kPa	13,570	104	43

20,000 lpm Stem Flow Chart

		STRAIGHT STREAM	WIDE FOG
PRESSURE	FLOW (lpm)	THROW (M)	THROW (M)
600 kPa	18,500	98	33
700 kPa	20,000	103	36
800 kPa	21,400	110	41
900 kPa	22,680	118	44
1000 kPa	23,900	125	47

Options

Inlet Connection: 150mm BSP Male as Standard, 4" NHT optional.
Flows: The Foam Lord Nozzle can be made to suit the customers' flow and pressure specification.
Materials: Gunmetal (LG2) is standard, hard anodised aluminium is optional. Nickel plated LG2 is recommended for severe environments.
Metering Valve: A metering valve with Off-1%-3% positions is available
Foam Shut-Off Valve: A ball valve can be fitted to the foam concentrate connection to allow the operator to isolate the foam concentrate supply.
Transfer Proportioners: For remote foam concentrate supply management.

ORION FIRE ENGINEERING PTY LIMITED

ABN 80 002 538 696

26A LYN PARADE PRESTONS NSW 2170 AUSTRALIA

Tel (61) 2 9426 7900 FAX (61) 2 8783 5400

Visit our Website www.orion-fire.com.au Email: sales@orion-fire.com.au