

# Monitors



Fire Engineering  
Pty Limited

## Commando 2051 65mm Geared Monitor



The Commando 2051 monitor is an 65mm gear operated monitor made from 316 stainless steel for harsh environments. Super duplex stainless steel is an option.

### Specifications

Maximum Recommended Flow:	2,500 lpm
Horizontal Rotation:	360°
Vertical Movement:	-60° + 90°
Inlet Connection:	3" ANSI RF Flanged
Outlet Connection:	65mm BSP Male
Weight (approx):	13.5 kg

### Design Features

To ensure maximum monitor availability for many years this monitor incorporates some key design features:

- Fully enclosed swivels for harsh environments.
- Metal balls for swivel races.
- No external aluminium or steel components are used, thus minimising any possible corrosion problems.
- Unique high efficiency but compact water way design.
- No internal vanes to cause blockages.

---

## ORION FIRE ENGINEERING PTY LIMITED

ABN 80 002 538 696

26A LYN PARADE PRESTONS NSW 2170 AUSTRALIA

Tel (61) 2 9426 7900 FAX (61) 2 8783 5400

Visit our Website [www.orion-fire.com.au](http://www.orion-fire.com.au) Email: [sales@orion-fire.com.au](mailto:sales@orion-fire.com.au)

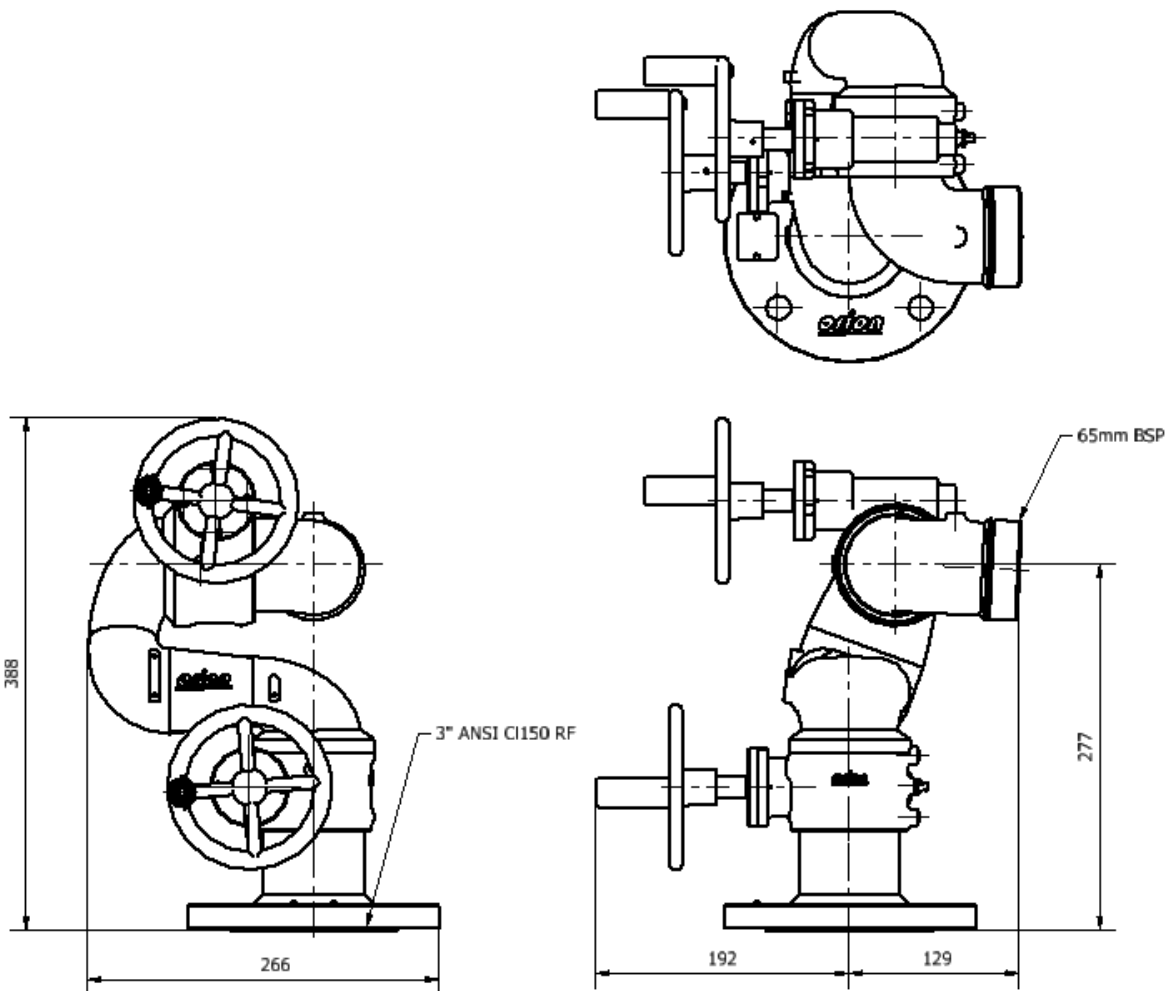
## Materials of Construction

Waterway: 316 SS  
Inlet Flange: 316 SS  
Balls: Brass  
Grease Nipples: 316 Stainless Steel  
Fasteners: 316 Stainless Steel

## Connections

**Inlet:** 80mm ASME Class 150 raised face stainless steel flange,

**Outlet:** 65mm BSP



---

## ORION FIRE ENGINEERING PTY LIMITED

ABN 80 002 538 696

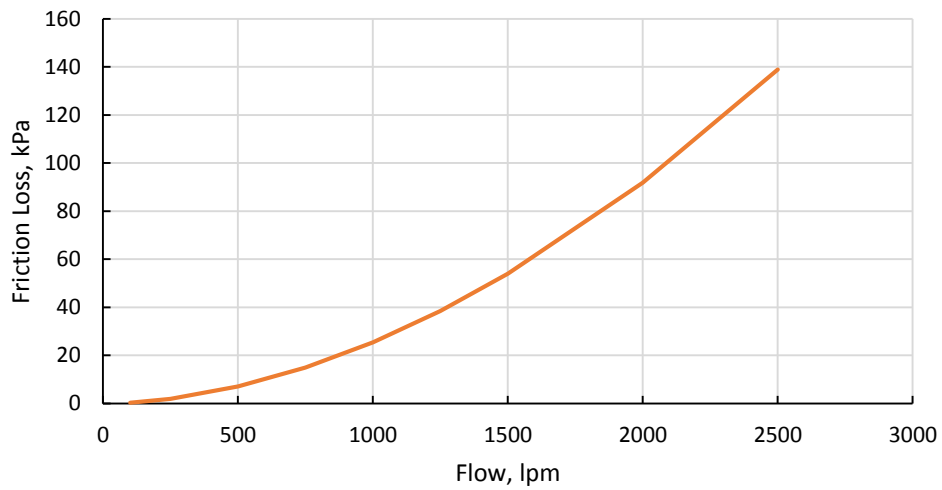
26A LYN PARADE PRESTONS NSW 2170 AUSTRALIA

Tel (61) 2 9426 7900 FAX (61) 2 8783 5400

Visit our Website [www.orion-fire.com.au](http://www.orion-fire.com.au) Email: [sales@orion-fire.com.au](mailto:sales@orion-fire.com.au)

## Performance Data

**Friction Loss Chart  
63mm Commando**



*Friction Loss Curve*

## Options

These monitors can also be manufactured in a range of alternative stainless steel alloys including super duplex stainless steel.

---

### **ORION FIRE ENGINEERING PTY LIMITED**

ABN 80 002 538 696

26A LYN PARADE PRESTONS NSW 2170 AUSTRALIA

Tel (61) 2 9426 7900 FAX (61) 2 8783 5400

Visit our Website [www.orion-fire.com.au](http://www.orion-fire.com.au) Email: [sales@orion-fire.com.au](mailto:sales@orion-fire.com.au)