

Monitors

Commando Model 3352

Electric Remote Controlled Monitor



Description

The Commando 3352 monitor is a 316L stainless steel monitor with DC electric motor driven swivels for remote control. Swivel units are fully enclosed for long service life. Control motors are fitted with IP66 protective covers. The monitor can be used with Orion Model 6000RE and 8000RE fog nozzles, Orion Foam Lord model FLD2-65RE and FLD2-80RE nozzles and with FF-Series aspirated foam nozzles.

The Commando Model 3352 is available with 24 VDC motors.

This monitor features electronic limit stops that are field adjustable without special tools. Field adjustment is extremely simple.

ORION FIRE ENGINEERING PTY LIMITED

ABN 80 002 538 696

26A LYN PARADE PRESTONS NSW 2170 AUSTRALIA

Tel (61) 2 9426 7900

FAX (61) 2 8783 5400

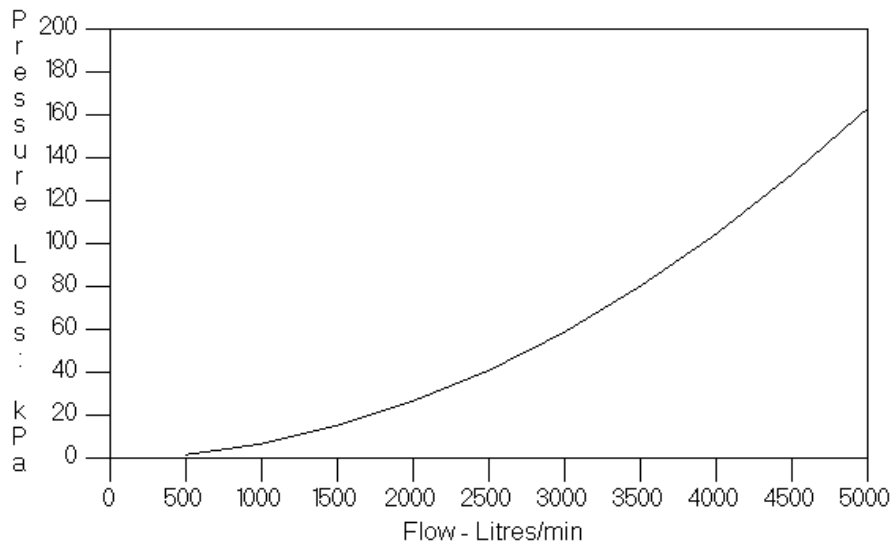
Visit our Website www.orion-fire.com.au Email: sales@orion-fire.com.au

This monitor is designed for the extremely rough conditions found in the mining and other industries. The stainless steel construction is extremely durable in high vibration environments and very corrosion resistant. Most cabling is protected in flexible metal conduit.

The Commando series of monitors are some of the toughest monitors available.

Specifications

Maximum Recommended Flow:	4,500 lpm
Horizontal Rotation:	350°
Vertical Movement:	150°
Inlet Connection	Flanged 80mm ASME CI 150
Outlet Connection	80mm BSP Male
Motor Current (each) – normal	2 Amp
Motor Current (each) - maximum	4 Amp



Friction Loss Curve

Materials of Construction

Waterway:	316L Stainless Steel
Swivels:	316L Stainless Steel
Inlet Flange:	316L Stainless Steel
Balls:	Brass
Grease Nipples:	316 Stainless Steel
Fasteners:	316 Stainless Steel
Motors Housing:	Brass

ORION FIRE ENGINEERING PTY LIMITED

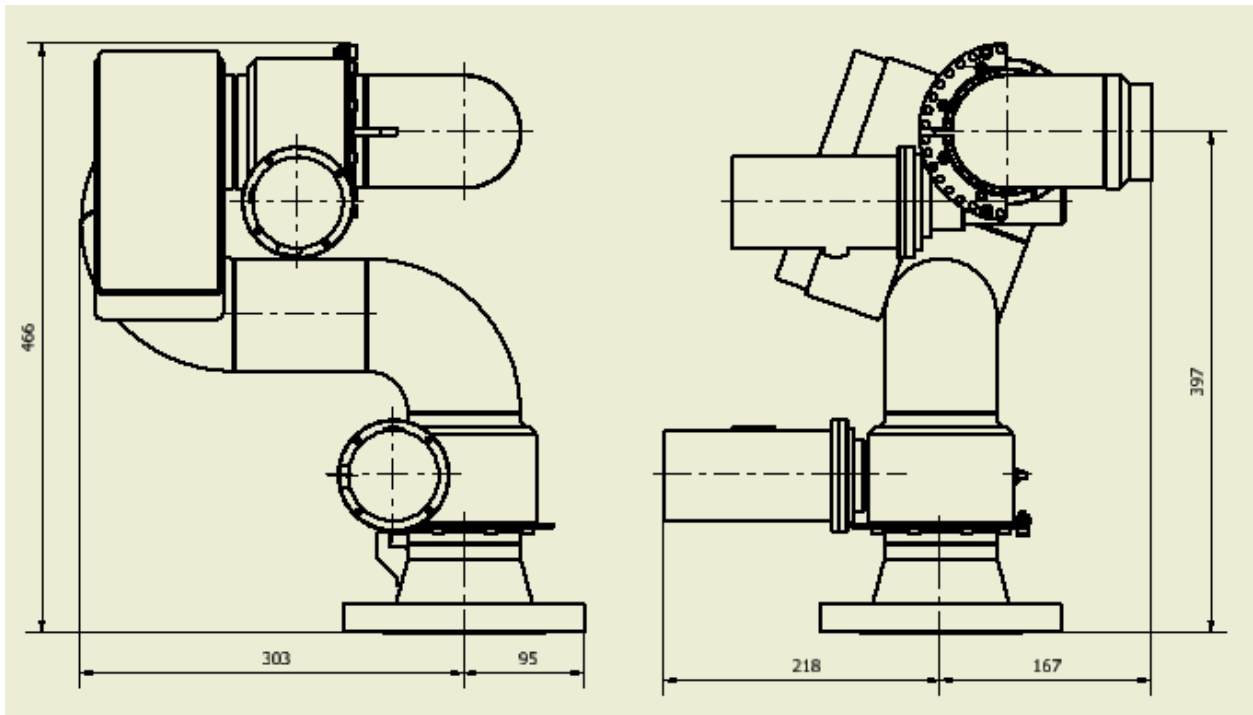
ABN 80 002 538 696

26A LYN PARADE PRESTONS NSW 2170 AUSTRALIA

Tel (61) 2 9426 7900

FAX (61) 2 8783 5400

Visit our Website www.orion-fire.com.au Email: sales@orion-fire.com.au



Options

Inlet Flange: 3" or 4" ANSI #150 raised face
other flanges are available upon request.

Controls: Panel mount joystick units, Handheld pendant controllers,

Commando 3352 Models

Part Number	Description
	Unpainted
14639	Commando 3352 24V 80mm ANSI inlet
14750	Commando 3352 24V 100mm ANSI inlet

Marine paint finish is also available.

ORION FIRE ENGINEERING PTY LIMITED

ABN 80 002 538 696

26A LYN PARADE PRESTONS NSW 2170 AUSTRALIA

Tel (61) 2 9426 7900

FAX (61) 2 8783 5400

Visit our Website www.orion-fire.com.au Email: sales@orion-fire.com.au