

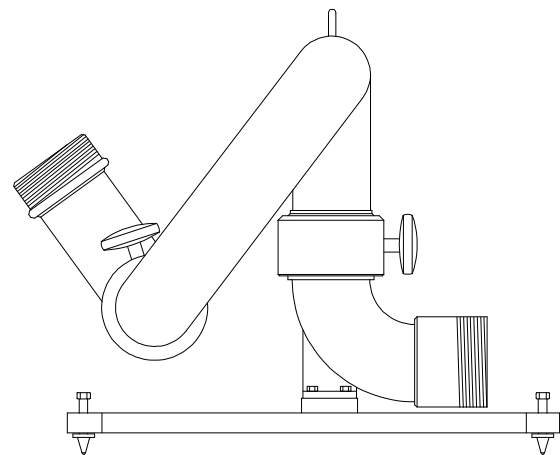
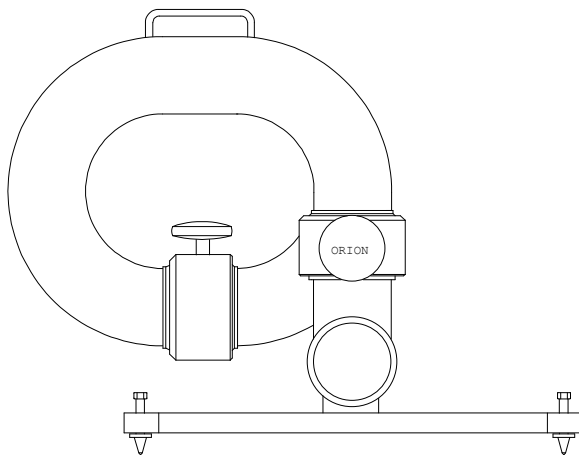
50mm Portable Ensign

Description

The Ensign Model 2030 50mm portable monitor is a stainless steel monitor with friction swivel locks. The monitor can be used with Orion Model 3000, A-40 or A-50 nozzles and Orion Foam Lord model FLD2-50 nozzles. It is not recommended that aspirating foam nozzles be used with these monitors.

Specifications

Maximum Flow:	1500 lpm
Horizontal Rotation:	270°
Vertical Movement:	+30° to +90°
Inlet Connection	50mm BSP M
Outlet Connection	40mm BSP M



Materials of Construction

Waterway:	316 Stainless Steel
Swivels:	316 Stainless Steel
Balls:	Delrin
Grease Nipples:	316 Stainless Steel
Locking Knob:	Aluminium
Handle:	316 Stainless Steel
Fasteners:	316 Stainless Steel
Base:	Aluminium (Bronze optional)
Spikes:	Hardened Steel

ORION FIRE ENGINEERING PTY LIMITED

ABN 80 002 538 696

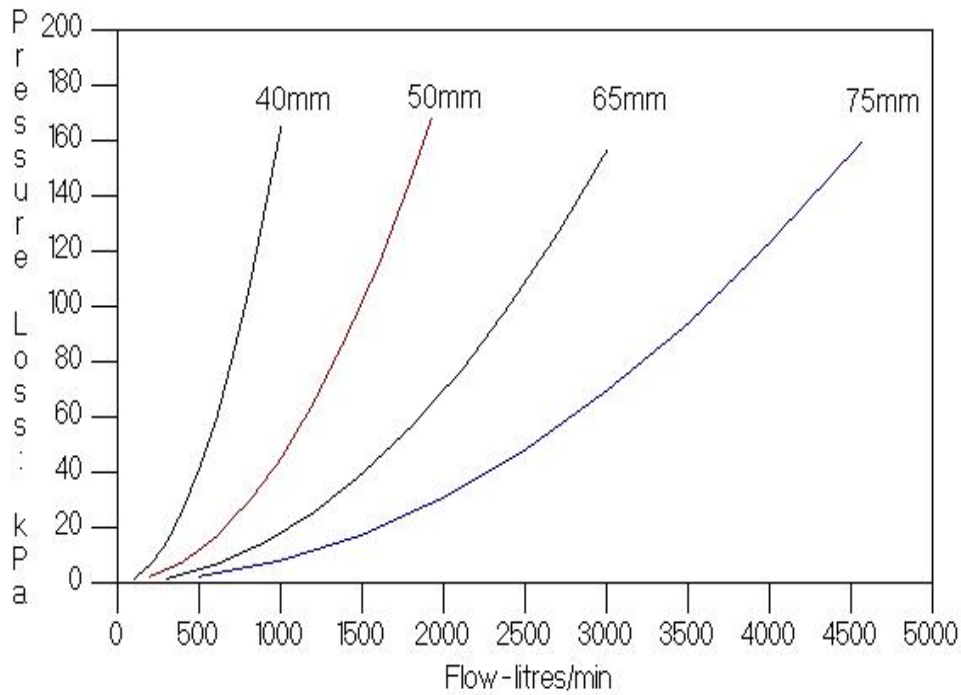
26A LYN PARADE PRESTONS NSW 2170 AUSTRALIA

Tel (61) 2 9426 7900

FAX (61) 2 8783 5400

Visit our Website www.orion-fire.com.au Email: sales@orion-fire.com.au

Friction Loss Curve



Options

Outlet Connection: 40mm BSP Male as Standard.
Inlet Connection: Single 50mm BSP Male as standard. A range of hose couplings can be fitted.

ORION FIRE ENGINEERING PTY LIMITED

ABN 80 002 538 696

26A LYN PARADE PRESTONS NSW 2170 AUSTRALIA

Tel (61) 2 9426 7900 FAX (61) 2 8783 5400

Visit our Website www.orion-fire.com.au Email: sales@orion-fire.com.au