

Ranger Model EM-100TXN 100mm Electric Remote Controlled Monitor

Description

The Ranger Model EM-100TXN monitor designed for use in marine environments and hazardous areas. Construction materials are selected for seawater corrosion resistance. The monitor can be used with Orion fog nozzles, Foam Lord nozzles and with FF-Series aspirated foam nozzles.



The Ranger Model EM-100TXN uses Toshiba EEXd motors for movement control. The monitor is available with a variety of three (3) phase motors to suit the available power supply including 380, 415, 440 and 480 voltages. The standard motor is 0.18 kW though this may depend on the final motor selection for the project.

Each monitor is supplied with a relay module (ECC Module) that controls monitor and nozzle movements and provides overload protection to the motors. The ECC Module requires some simple site wiring connections.

The ECC module can be installed adjacent to the monitor in an EEXd enclosure or in the control panel. The location of the ECC module will depend on the installation cost. More cable is required if the ECC module is located in the control panel.

Specification

Maximum Flow:	7,500 lpm
Horizontal Rotation:	> 355°
Vertical Movement:	+90° to -60°
Inlet Connection	Flanged 4" ANSI Flat Faced
Outlet Connection	65mm BSP Male
Motor Power (each) – normal	0.18 kW

ORION FIRE ENGINEERING PTY LIMITED

ABN 80 002 538 696

26A LYN PARADE PRESTONS NSW 2170 AUSTRALIA

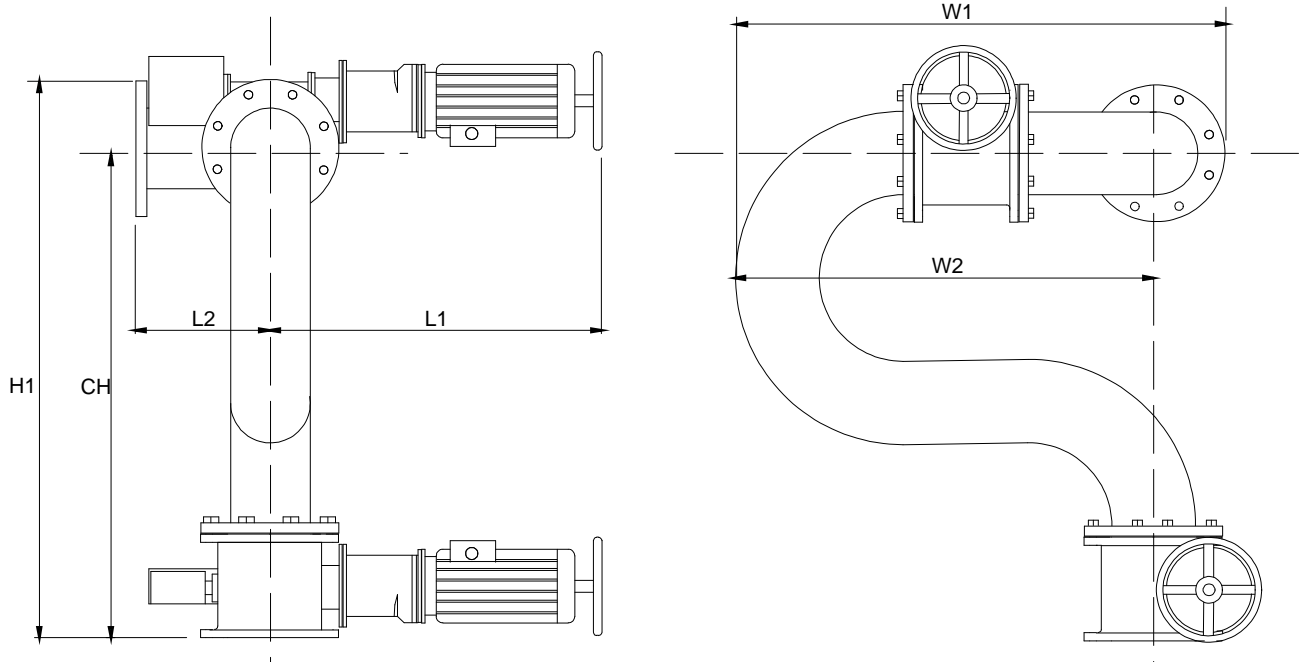
Tel (61) 2 9426 7900

FAX (61) 2 8783 5400

Visit our Website www.orion-fire.com.au Email: sales@orion-fire.com.au

Materials of Construction

Waterway: 316 Stainless Steel
 Swivels: Aluminium Bronze Alloy
 Inlet Flange: Aluminium Bronze Alloy – Flat Faced
 Balls: 316 Stainless Steel
 Grease Nipples: 316 Stainless Steel
 Fasteners: 316 Stainless Steel



Dimensions

	Standard EM-100	Compact EM-100
W1	650 mm	550 mm
W2	540 mm	440 mm
H1	740 mm	590 mm
CH	630 mm	480 mm
L1 *	570 mm	570 mm
L2 **	160 mm	110 mm

* This dimension depends on the gearbox & motor selection.

** This dimension depends on the outlet selection.

ORION FIRE ENGINEERING PTY LIMITED

ABN 80 002 538 696

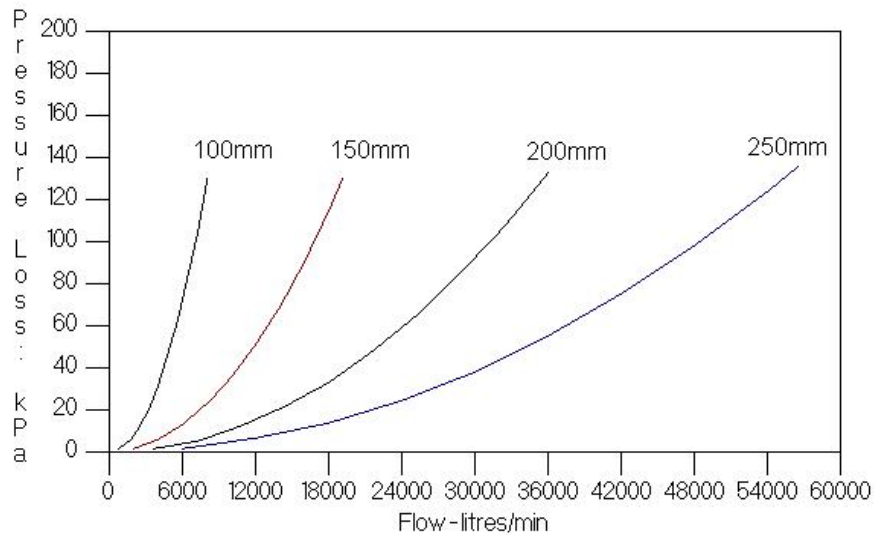
26A LYN PARADE PRESTONS NSW 2170 AUSTRALIA

Tel (61) 2 9426 7900

FAX (61) 2 8783 5400

Visit our Website www.orion-fire.com.au Email: sales@orion-fire.com.au

Friction Loss Curve



Options

- Outlet Connection: 80mm BSP Male as Standard, other configurations are available optional.
- Inlet Flange: No other options
- Controls: Panel mount joystick units, Handheld pendant controllers, Indoor, outdoor and EEXd control panels
Manual handwheel override.

ORION FIRE ENGINEERING PTY LIMITED

ABN 80 002 538 696

26A LYN PARADE PRESTONS NSW 2170 AUSTRALIA

Tel (61) 2 9426 7900

FAX (61) 2 8783 5400

Visit our Website www.orion-fire.com.au Email: sales@orion-fire.com.au