

Monitors

50mm Manual Sentinel



Description

The Sentinel 50mm manual monitor is a stainless steel monitor with friction swivel locks. The monitor can be used with Orion Model A-40, A-50 and NP250-40 fog nozzles. It is not recommended that aspirating foam nozzles be used with these monitors.

Specifications

Maximum Flow:	1500
Horizontal Rotation:	360°
Vertical Movement:	150°
Inlet Connection	50mm Table'E" Flange
Outlet Connection	40mm BSP Male

Materials of Construction

Waterway:	316 Stainless Steel
Balls:	Brass
Grease Nipples:	316 Stainless Steel
Locking Knobs:	Aluminium
Handle:	316 Stainless Steel
Fasteners:	316 Stainless Steel

ORION FIRE ENGINEERING PTY LIMITED

ABN 80 002 538 696

26A LYN PARADE PRESTONS NSW 2170 AUSTRALIA

Tel (61) 2 9426 7900

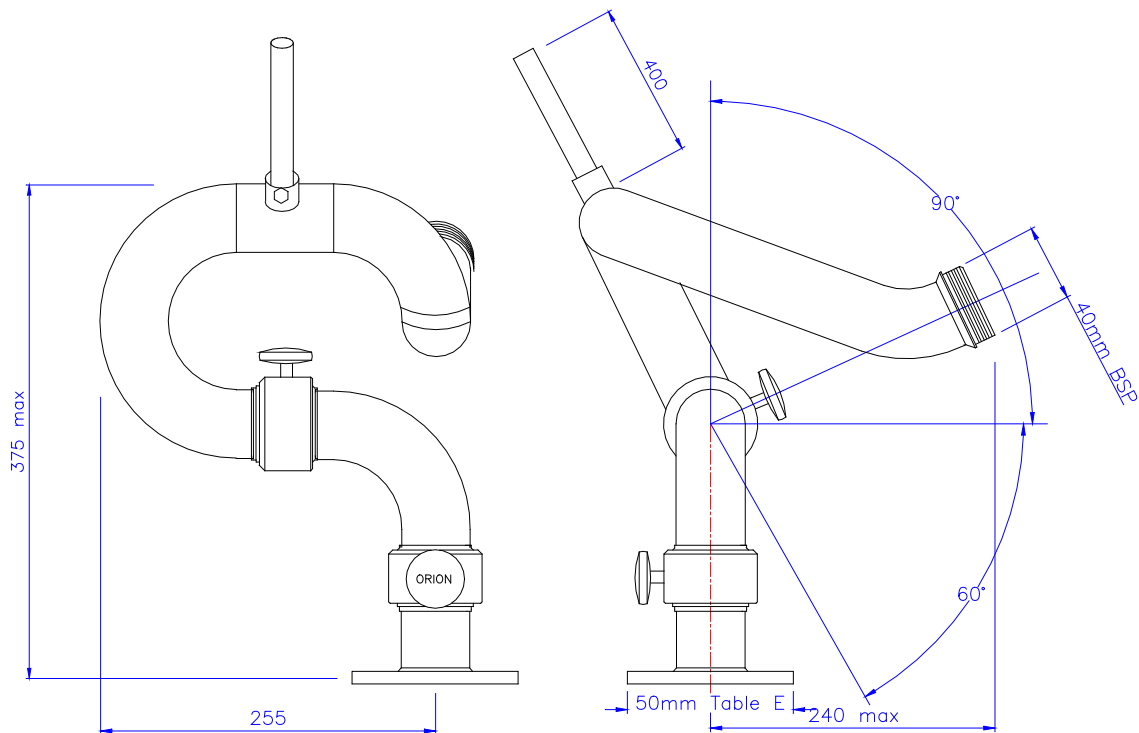
FAX (61) 2 8783 5400

Visit our Website www.orion-fire.com.au Email: sales@orion-fire.com.au

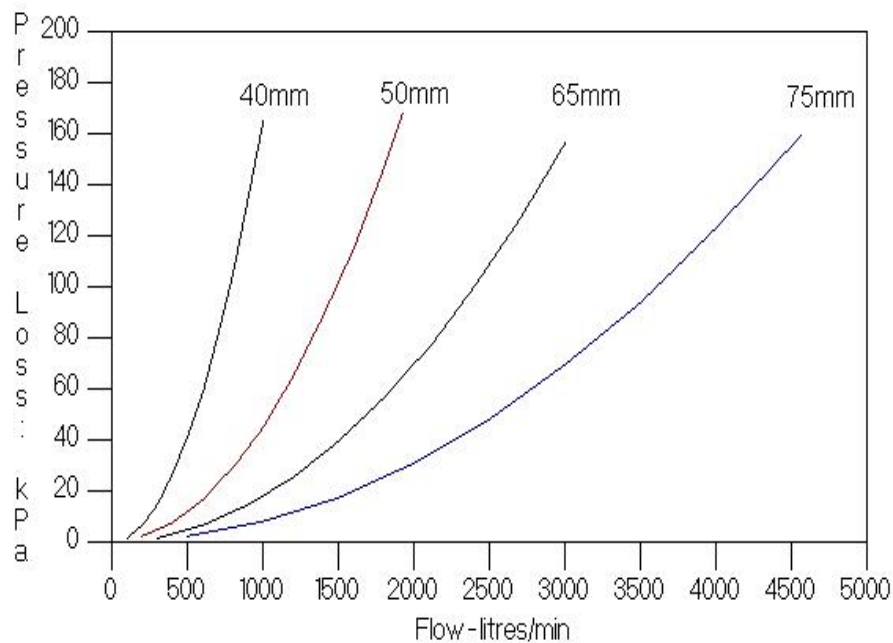
Options

Outlet Connection: 40mm BSP Male as Standard, 50mm BSP Male optional.

Inlet Flange: 50mm Table E as standard. Other sizes and flange types are available.



Friction Loss Curve



ORION FIRE ENGINEERING PTY LIMITED

ABN 80 002 538 696

26A LYN PARADE PRESTONS NSW 2170 AUSTRALIA

Tel (61) 2 9426 7900

FAX (61) 2 8783 5400

Visit our Website www.orion-fire.com.au Email: sales@orion-fire.com.au