

Monitors

Commando Model 2351

Electric Remote Controlled Monitor



Description

This is a stainless steel monitor with DC electric motor driven swivels for remote control. Swivel units are fully enclosed for long service life. Control motors are fitted with IP66 protective covers. The monitor can be used with Water Jet Branchpipes, Orion Model 6107RE fog nozzle & Orion Foam Lord model FLD3-65RE nozzles.

The Commando Model 2351 is available with 24 VDC motors.

This monitor is designed for the rough and high corrosion conditions.

Travel limits can be field adjusted, 10 degree steps.

Corrosion resistant.

ORION FIRE ENGINEERING PTY LIMITED

ABN 80 002 538 696

26A LYN PARADE PRESTONS NSW 2170 AUSTRALIA

Tel (61) 2 9426 7900 FAX (61) 2 8783 5400

Visit our Website www.orion-fire.com.au Email: sales@orion-fire.com.au

Control Options

The Commando 2351 monitor is directly joystick controlled using our robust relay module that has a proven record of decades of mining use. It has specific features to protector the monitor from abuse and damage. These include over current protection and soft starting of motors to extend their life. This monitor is designed to be simple and rugged and handle high vibration easily.

Specifications

Maximum Recommended Flow:	2,500 lpm
Horizontal Rotation:	-170° to +170° (340 degrees total)
Vertical Movement:	150°
Inlet Connection	Flanged 80mm ANSI Class 150 RF
Outlet Connection	65mm BSP Male
Motor Current (each) – normal	2 Amp
Weight:	19.5 kg

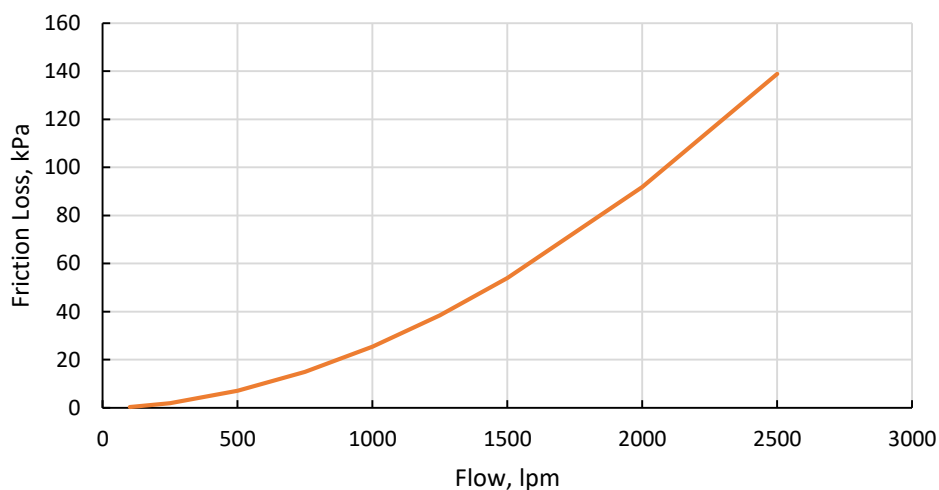
Materials of Construction

Waterway: 316L Stainless Steel
Swivels: 316L Stainless Steel
Inlet Flange: 316L Stainless Steel

Balls: Brass
Grease Nipples: 316 Stainless Steel
Fasteners: 316 Stainless Steel
Motors Housing: Brass

Performance Data

**Friction Loss Chart
63mm Commando**



Friction Loss Curve

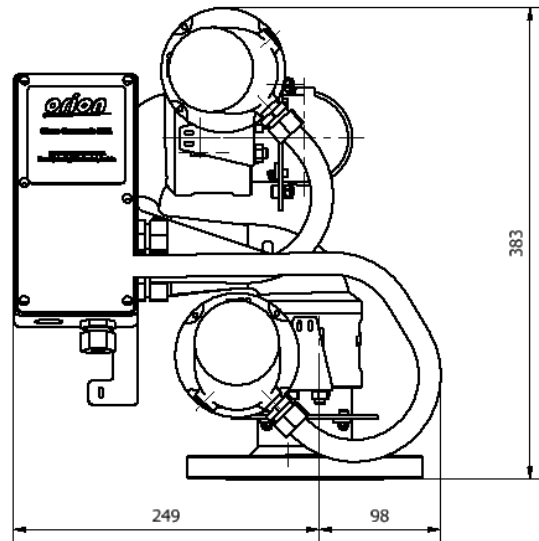
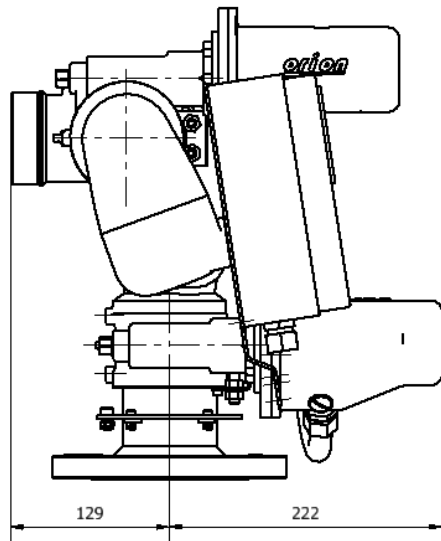
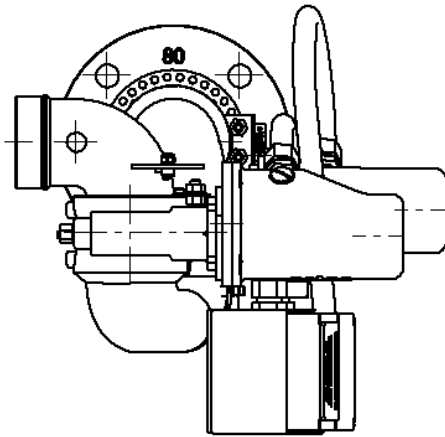
ORION FIRE ENGINEERING PTY LIMITED

ABN 80 002 538 696

26A LYN PARADE PRESTONS NSW 2170 AUSTRALIA

Tel (61) 2 9426 7900 FAX (61) 2 8783 5400

Visit our Website www.orion-fire.com.au Email: sales@orion-fire.com.au



Options

Outlet Connection:	65mm BSP Male as Standard
Inlet Flange:	3" ANSI #150 raised face
Controls:	Panel mount joystick units
Extra Protection:	Stainless steel relay enclosure. Flexible metal conduit protection for main cables.

Normally unpainted except for motors.

Marine paint finish is also available.

ORION FIRE ENGINEERING PTY LIMITED

ABN 80 002 538 696

26A LYN PARADE PRESTONS NSW 2170 AUSTRALIA

Tel (61) 2 9426 7900 FAX (61) 2 8783 5400

Visit our Website www.orion-fire.com.au Email: sales@orion-fire.com.au